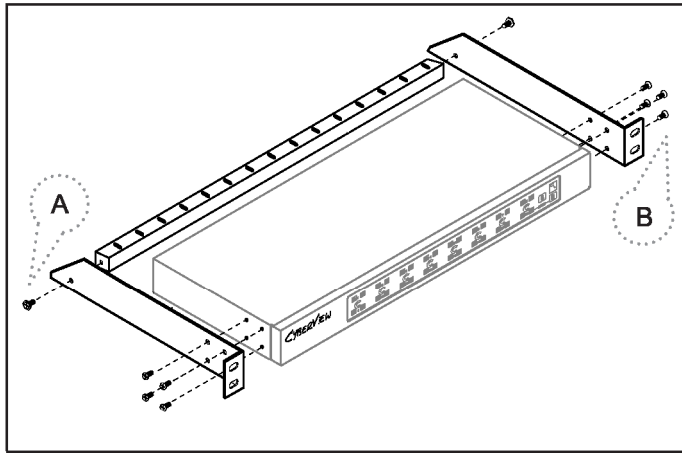


# PS/2 KVM Switch Installation Guide

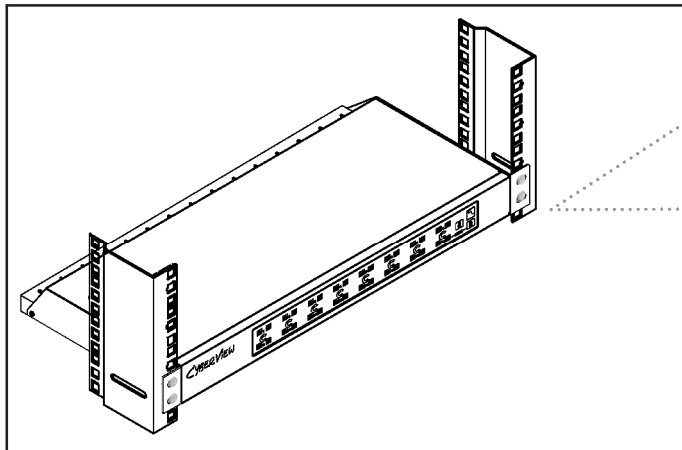


  
screw A: M3.2 x 4.5 mm

  
screw B: M4 x 10 mm

- Install each bracket using screws provided shown in Figure 1.

Figure 1. Installing the bracket to the KVM.

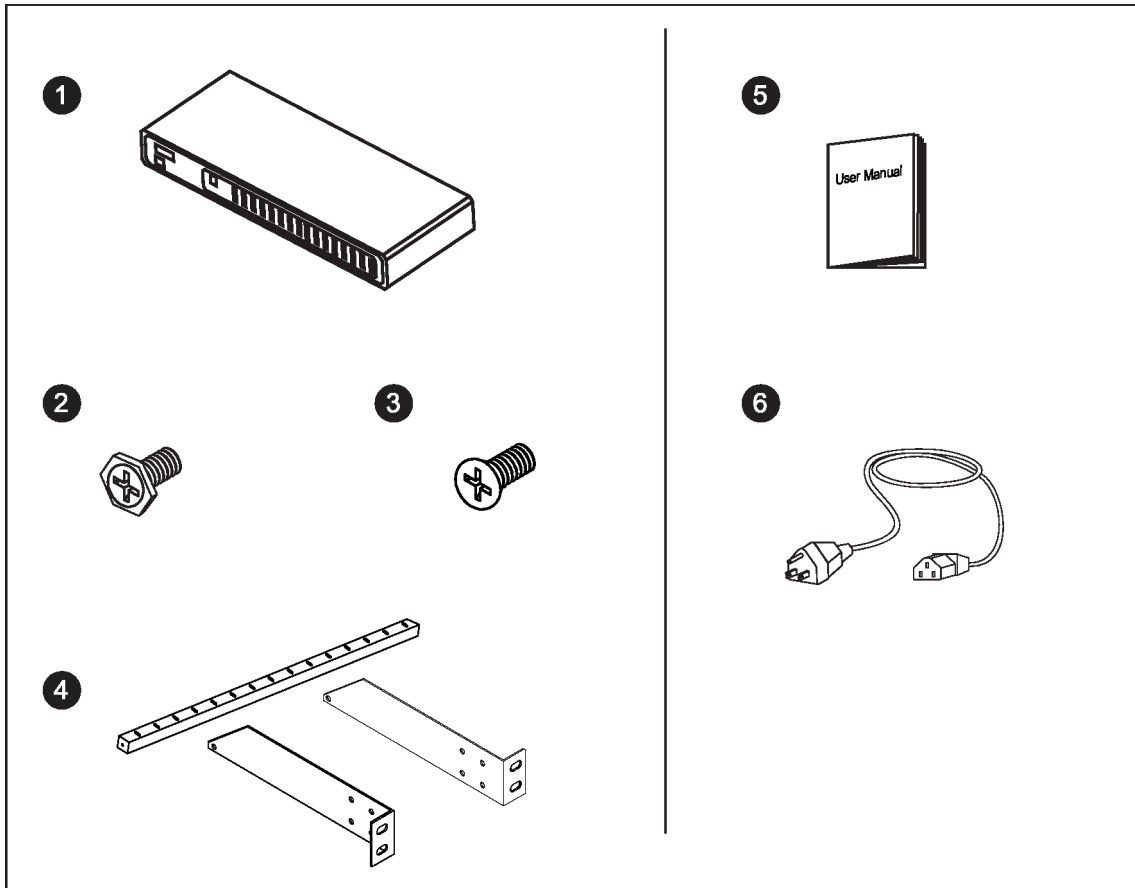


- Fix the KVM into the rack

\* Hardware for fixing the mounting bracket to the rack is not provided

Figure 2. Fixing the KVM into the rack.

**Package Content (only for rackmount KVM)**



**1** KVM switch x 1 pc

**2** Screw M3.2 x 4.5mm x 4 pcs

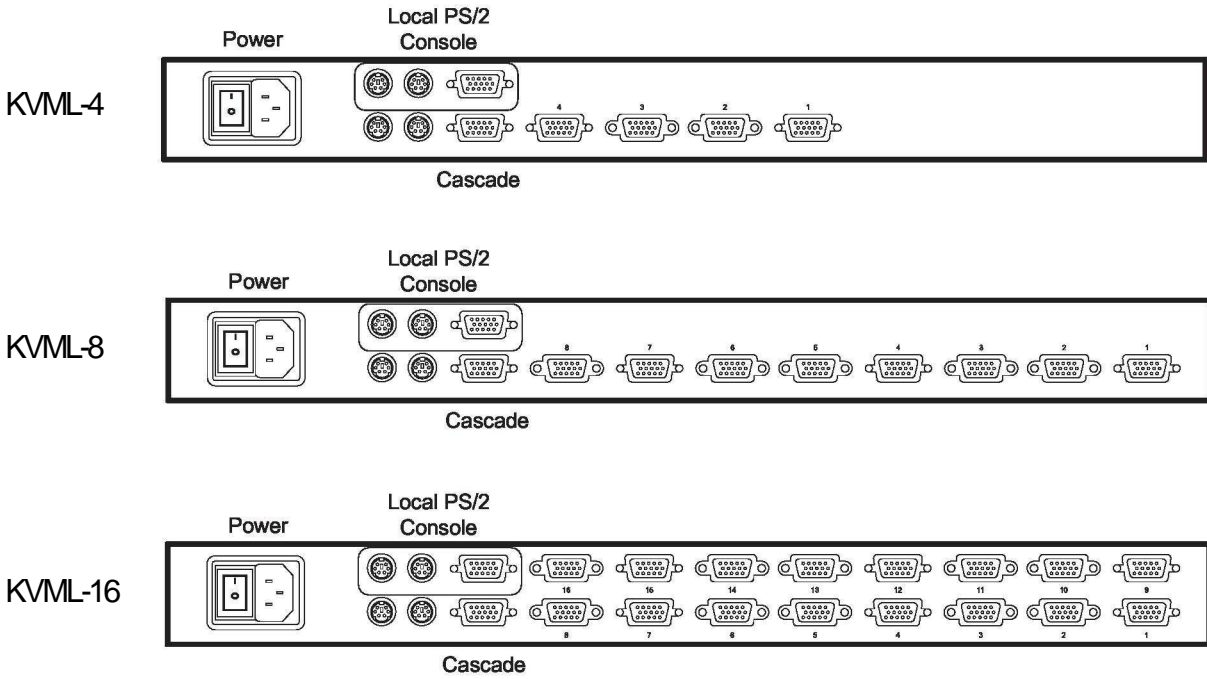
**3** Screw M4 x 10mm x 8 pcs

**4** Bracket x 1 set

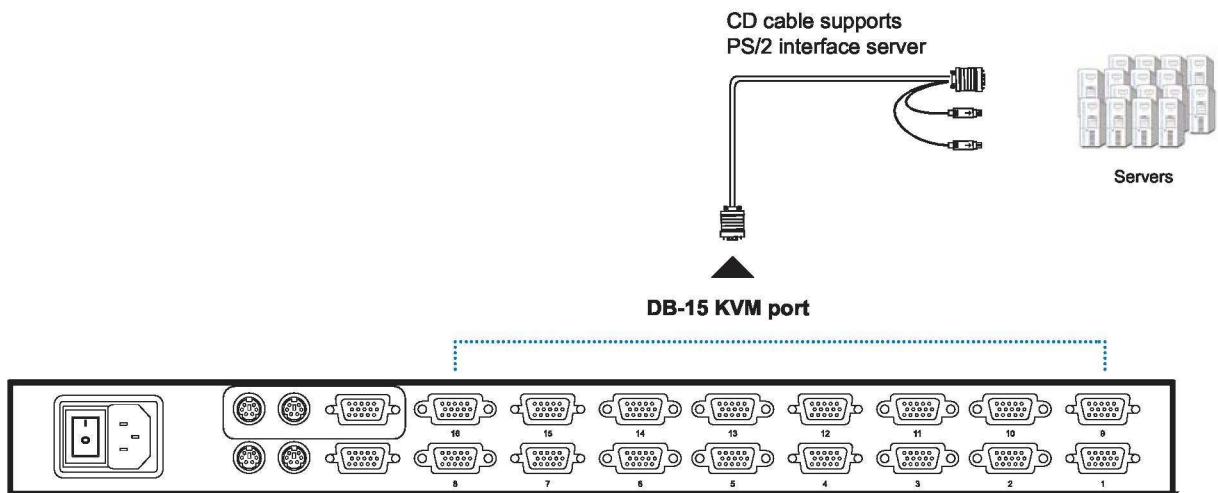
**5** User manual x 1 pc

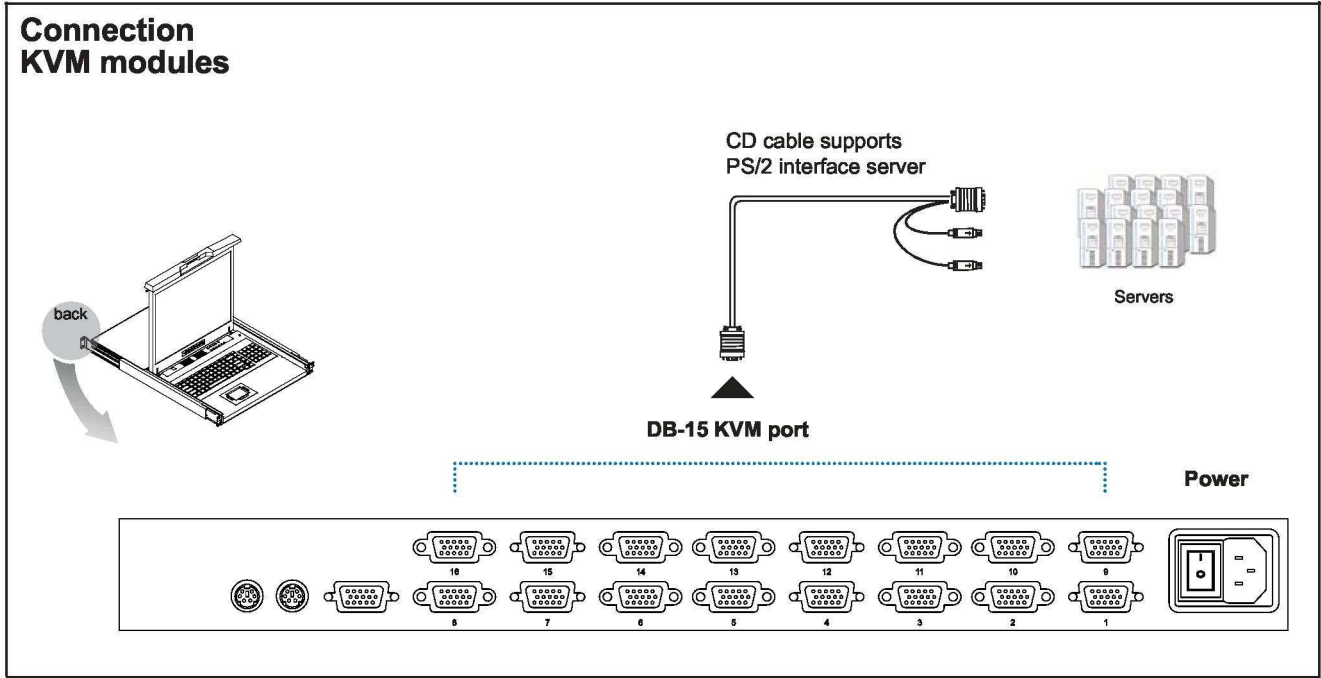
**6** Power cord x 1 pc

Connection



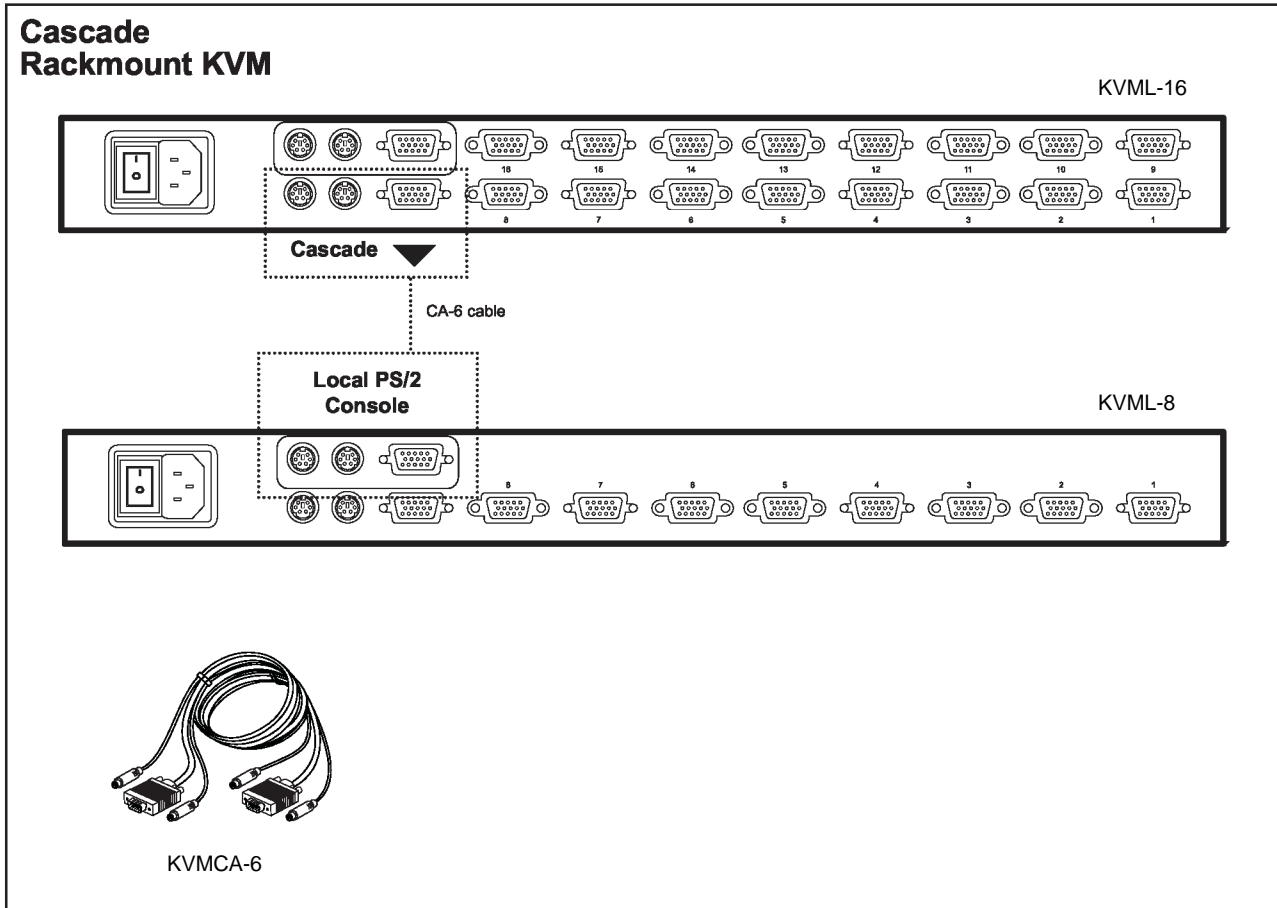
Connection  
Rackmount KVM





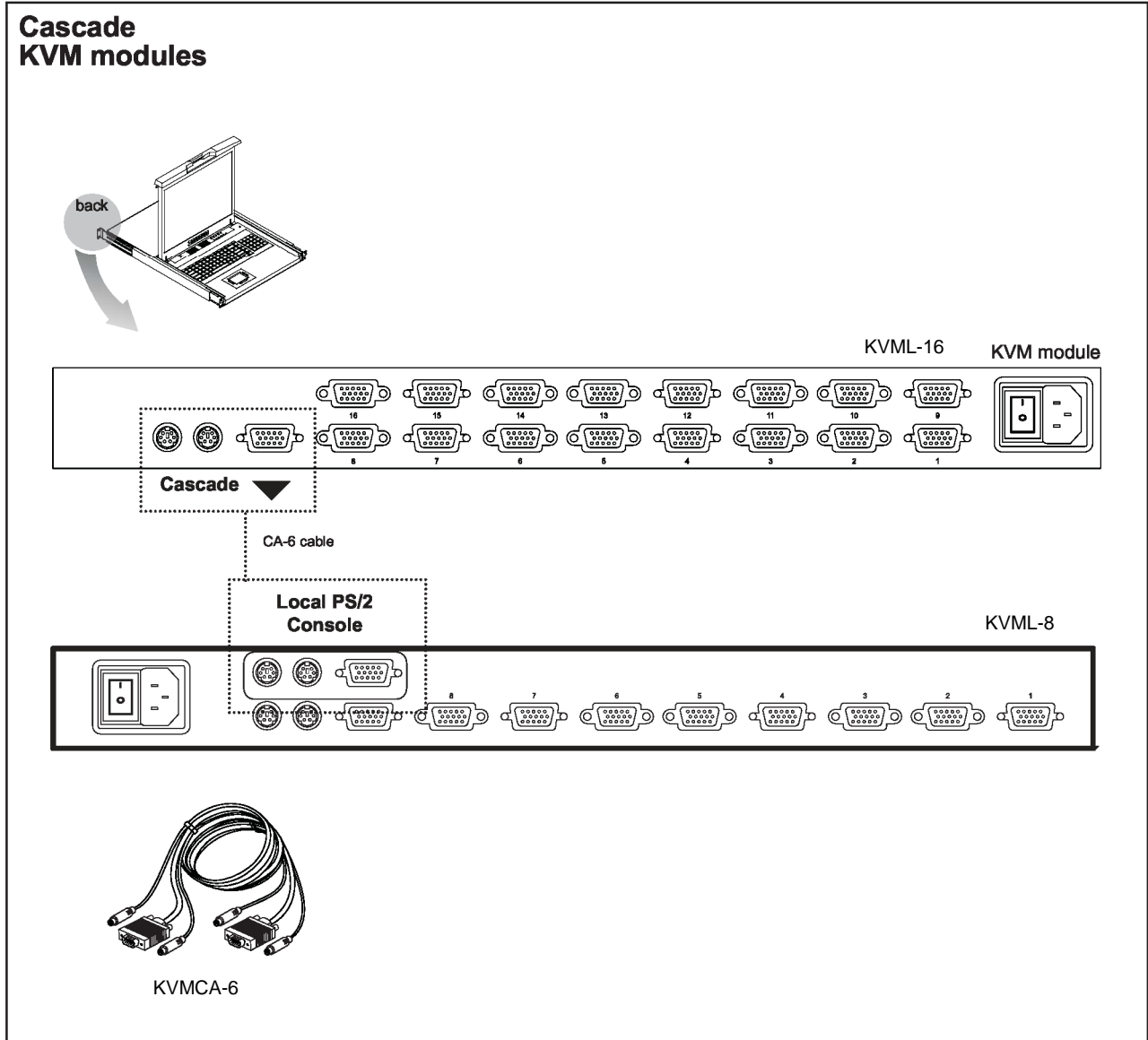
### Cascade

- Cascade up to 8 levels, 128 servers
- Cascading multiple KVM by KVMCA-6 cable.



### Cascade

- Cascade up to 8 levels, 128 servers
- Cascading multiple KVM by KVMCA-6 cable.



## KVML-4 / KVML-8 / KVML-16

### ■ KVM Port

Number of ports:	4, 8 or 16
Connector:	DB-15 combo connector
Connectivity:	PS/2 3-in-1 KVM cable, up to 6, 10, 15 & 33 feet

### ■ Local Console

Graphic connector:	1 x DB-15 VGA
Resolution:	Up to 1600 x 1200
Input device:	2 x PS/2 for keyboard & mouse

### ■ Management

Multilingual OSD:	English, France, German, Spanish, Italian, Russian, Simplified Chinese, Japanese
Hotkey combination:	Scroll-lock, Cap-lock, Num-lock, Alt, Ctrl & Win
Security:	Password enable & disable, up to 8 users profile for port access
PC Selection:	Front button, OSD menu & hotkey

### ■ Expansion:

Up to 128 servers by 8-level cascade

### ■ Compatibility

Multi-platform:	Mix PCs, SUNs, IBMs, HPs, DELLs Server
Support:	Windows Vista / 2003 / XP / 2000, Linux, Netware, Unix

### ■ Power

Input:	100 or 240V AC at 50 or 60 Hz via IEC type cord OR AC / DC power adapter 12V@3.3A (optional)
Option DC:	12V / 24V / 48V DC input
Consumption:	Max. 48 Watt, Standby 5 Watt

### ■ Regulatory Approval:

FCC, CE

### ■ Environmental

Operating:	0 to 50°C
Storage:	-5 to 60°C
Relative humidity:	90%, non-condensing
Shock:	50G peak acceleration (11ms, half-sine wave)
Vibration:	58~100Hz / 0.98G (11ms / cycle)

### ■ Product Information

Dimension (W x D x H):	446 x 180 x 44 mm / 17.6 x 7.1 x 1.73 inch
Net weight:	KVML-4: 3.5 kg / 8 lb KVML-8 / 1601: 4 kg / 9 lb

### ■ Packing Information

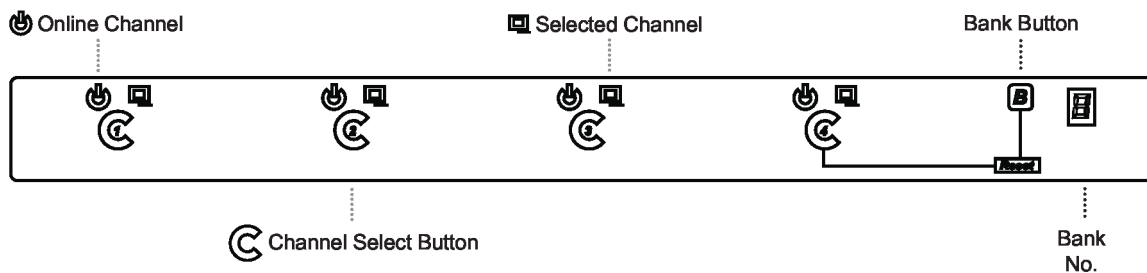
Dimension (W x D x H):	510 x 400 x 77 mm / 20.1 x 15.7 x 3 inch
Gross weight:	KVML-4: 4 kg / 9 lb KVML-8 / 1601: 4.5 kg / 10 lb

### Power ON

- Turn off all servers and KVM switches
- Make sure all cables / connectors are properly connected
- Recommend Power ON sequence is monitor, KVM switch then computer

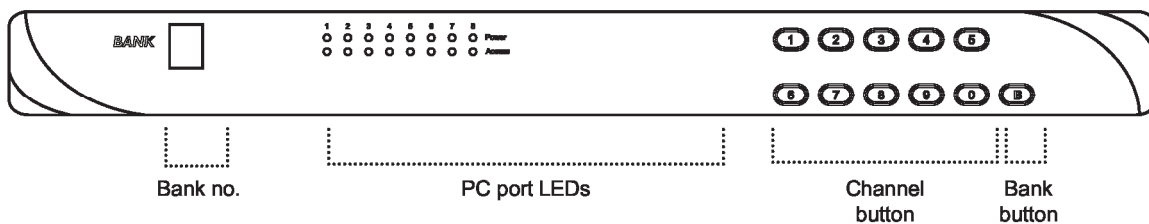
### Front Panel - Port LED Indications

#### 4 ports (only for KVML-4)

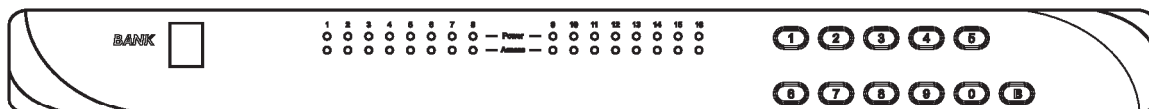


Online Channel	Green LED on indicating a PC is connecting to the port
Selected Channel	RED LED on indicating a selected channel
Bank Button	Select the bank from 1 to 8
Channel Select Button	Press to select channel from 1 to 8
Bank No.	7-Segment BANK LED indication

#### 8 ports



#### 16 ports



Bank no.	7-Segment BANK LED indication
PC port LEDs	<b>Power</b> : Orange LED on indicating a PC is connecting to the port <b>Access</b> : Red LED on indicating a selected channel
Channel button	Press to select channel from 01 to 16
Bank button	Select the bank from 1 to 8



The password is enabled by default, the default password is "00000000" eight zeros (**Do not use "0" on number pad**)

### ■ Set your own user name & password

1. Call KVM OSD menu by pressing the KVM hotkey **Scroll Lock + Scroll Lock + Space Bar**
2. Select "CHANGE PASSWORD"
3. Enter "00000000" eight zeros in password field  
(**Do not use "0" on number pad**)
4. Set your own password in "ENTER NEW PASSWORD" field
5. Retype your own new password in "RETYPE NEW PASSWORD" field

Remark: a. Blank has underscore. SPACE does not have underscore.  
b. Press any alphanumeric key to move to next input item.

### ■ Change your password

1. Call KVM OSD menu by pressing the KVM hotkey **Scroll Lock + Scroll Lock + Space Bar**
2. Select "CHANGE PASSWORD"
3. Enter your own password
4. Change your password in "ENTER NEW PASSWORD" field
5. Retype your new password in "RETYPE NEW PASSWORD" field



Remark: a. Blank has underscore. SPACE does not have underscore.  
b. Press any alphanumeric key to move to next input item.

### ■ Forget your password



Please contact your supplier for further support

Remark:

- You must press the KVM hotkey within 2 seconds
- A beep sound will be heard for successful entering KVM hotkey

BANK : 1					
01	 SYSTEM	01		02	SYSTEM 02
03	SYSTEM	03		04	SYSTEM 04
05	SYSTEM	05		06	SYSTEM 06
07	SYSTEM	07		08	SYSTEM 08
OSD : 10 SEC		CHANGE PASSWORD			
SCAN : 10 SEC		CONSOLE ON OFF			
ESC : QUIT		ENTER : COMPLETE			
TAB : NEXT		INSERT : EDIT			
↑/↓ : PORT SELECT					
PgUp/PgDn : BANK SELECT					

**OSD operation**

	next to the system name	The PC is powered on
	next to the system name	The PC is selected
OSD		OSD menu on screen time
SCAN		Scan interval from one PC port to next PC when applying auto scan
CHANGE PASSWORD		Change to a new password
Console ON/OFF		ON - quit the OSD menu without password OFF - password is requested while quitting the OSD menu
ESC		QUIT
TAB		NEXT
↑/↓		Select port for destination PC name and press "Enter" to select
PgUp / PgDn		To switch previous or next bank
ENTER		Complete
INSERT		Edit

Hotkey	Function
<b>Scroll Lock + Scroll Lock + Space Bar</b>	Calling OSD menu
<b>Scroll Lock + Scroll Lock + ↑</b>	Switch to previous port
<b>Scroll Lock + Scroll Lock + ↓</b>	Switch to next port
<b>Scroll Lock + Scroll Lock + PgUp</b>	Switch to previous bank
<b>Scroll Lock + Scroll Lock + Bank no. + Port no.</b>	Switch to specific port
<b>Scroll Lock + Scroll Lock + PgDn</b>	Switch to next bank
<b>Scroll Lock + Scroll Lock + S</b>	Auto scan for powered on PC
<b>Scroll Lock + Scroll Lock + R</b>	Reset to factory default setting
<b>Scroll Lock + Scroll Lock + B</b>	Enable / Disable beeper sound
<b>Scroll Lock + Scroll Lock + F</b>	Find port by name

**Remarks:**

Example of "Scroll Lock + Scroll Lock + Bank no. + Port no."

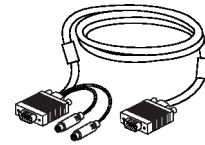
- Bank No. : 1 to 8
- Port No. : 01 to 16
- e.g. Bank 1 Port 4 : **Scroll Lock + Scroll Lock + 1 + 0 + 4**
- e.g. Bank 2 Port 16 : **Scroll Lock + Scroll Lock + 2 + 1 + 6**

## Optional Accessories

## PS/2 KVM Usage

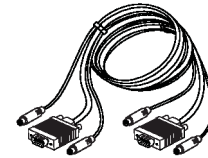
### 1. PS/2 3-in-1 KVM cable

- 1.1 KVMCD-6 6 feet
- 1.2 KVMCD-10 10 feet
- 1.3 KVMCD-15 15 feet
- 1.4 KVMCD-33 33 feet



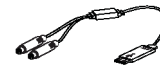
### 2. PS/2 KVM cascade cable

- 2.1 KVMCA-2 2 feet
- 2.2 KVMCA-6 6 feet
- 2.3 KVMCA-10 10 feet
- 2.4 KVMCA-15 15 feet



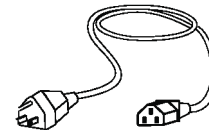
### 3. SUN / iMAC USB to PS/2 adapter

- 3.1 SUN-31 kit



### 4. Power cord

- 4.1 IEC power cord
- 4.2 NEMA 5-15 power cord (US)
- 4.3 BS 1363 power cord (UK)
- 4.4 CEE 7/4 power cord (German)
- 4.5 AS 3112 power cord (Australia)



# DC Power 12V, 24V, 48V Input

# PS/2 KVM Usage

Model	12V	24V	48V
<b>Input rating</b>			
Input voltage:	12-Volt	24-Volt	48-Volt
Input range:	9 ~ 18V	18 ~ 36V	36 ~ 75V
Input current			
- No load	50 mA	50 mA	50 mA
- Full load	4950 mA	2450 mA	1220 mA
<b>Output rating</b>			
Output voltage:	12-Volt	12-Volt	12-Volt
Output current:	4.16A	4.16A	4.16A
<b>Efficiency</b>	84%	85%	85%

**Remarks:**

- Package does not include power cord